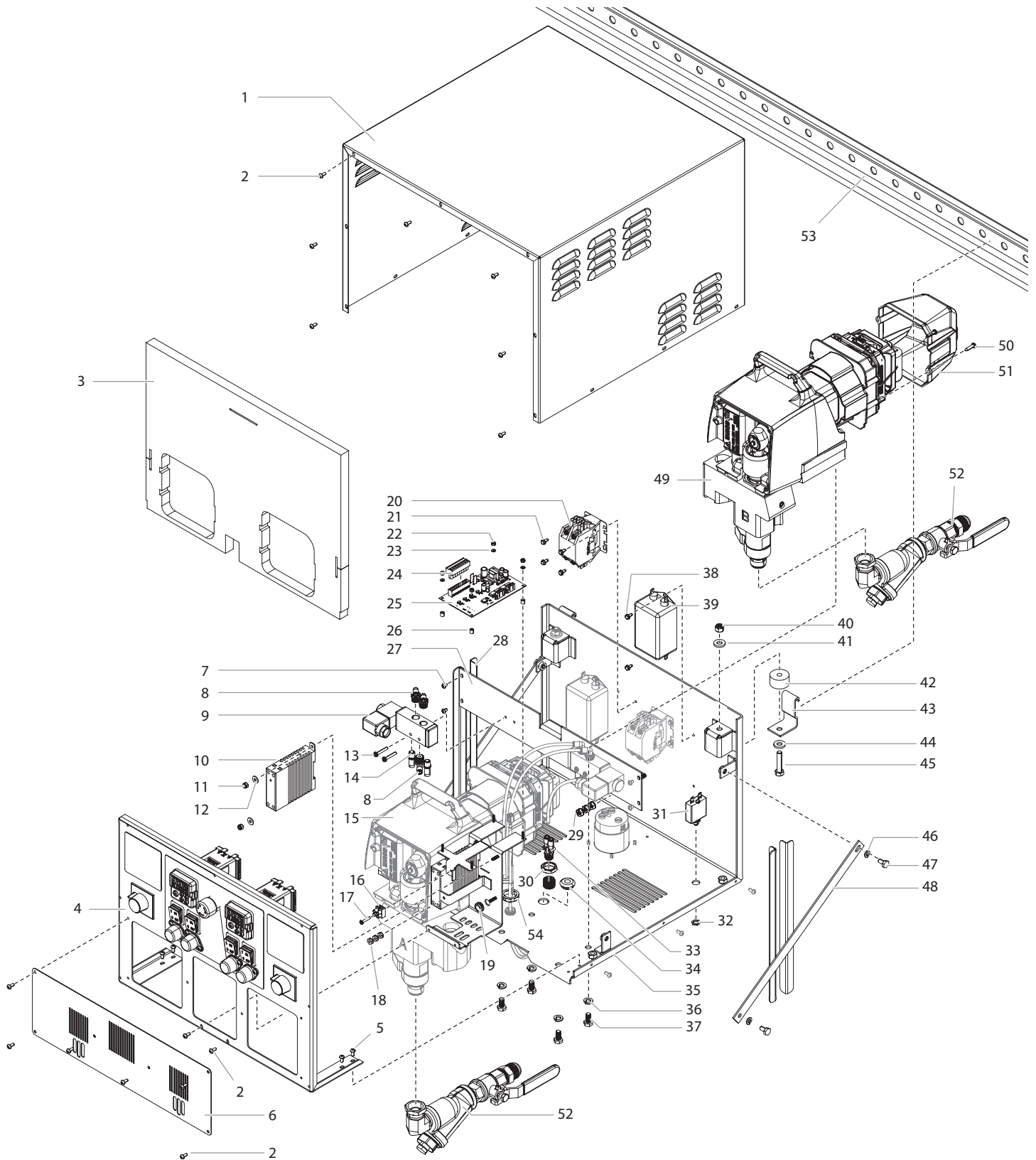


Notes (refer to previous page)	
a	From pump A
b	From pump B
c	From switches
d	From motor switch
e	From relay (0522524, previous page)
f	From "i", previous page
g	Grounding location (qty. 3)
h	To hose controller
i	To motor controller
j	To PCB assembly (0522536, previous page)
k	From Emergency Stop (0522516, previous page)

MAIN ASSEMBLY I



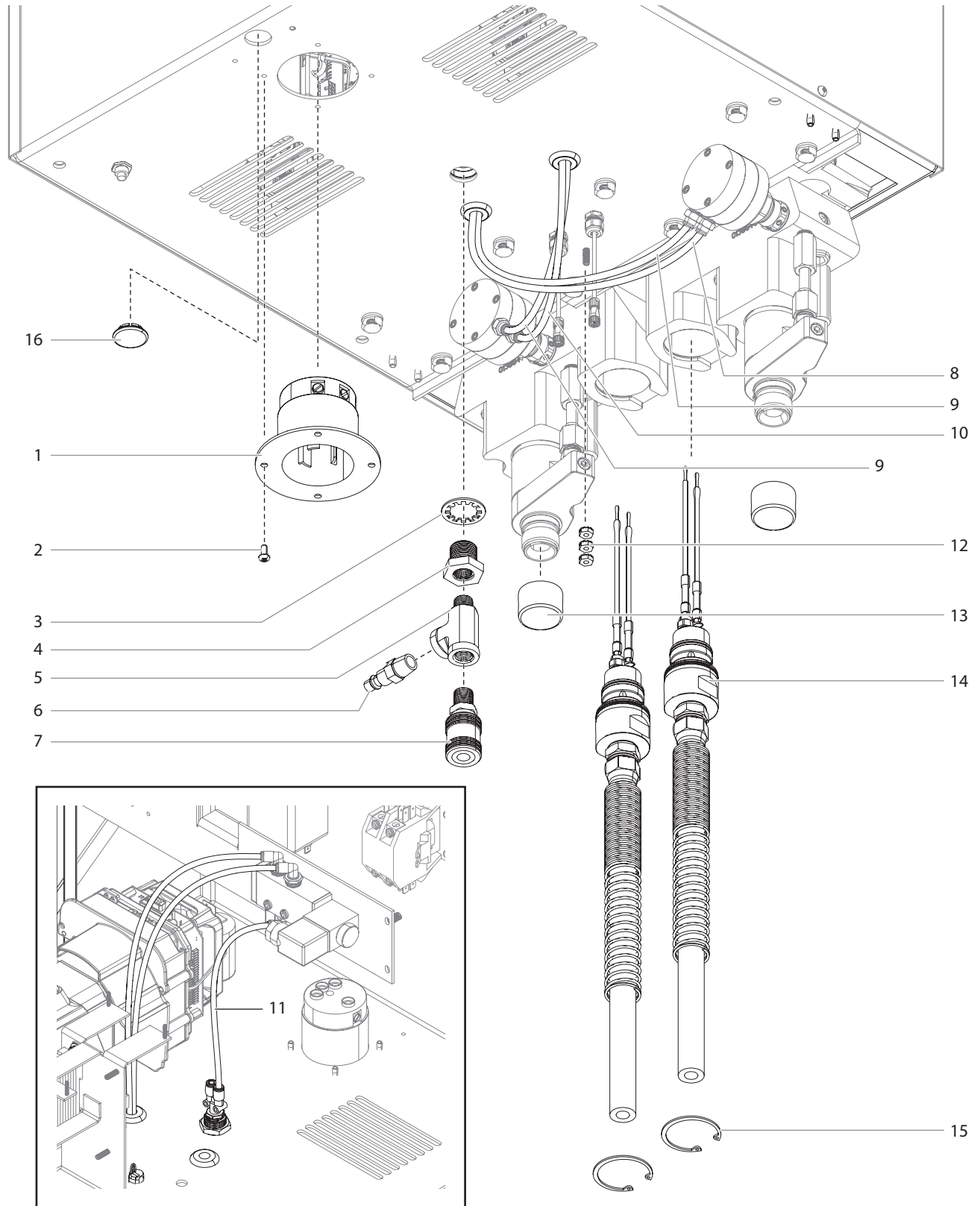
Pos.	Helix LP	Description
1	0138661A	Top shroud
2	700-139	Screw (19)
3	0138676A	Isolation foam
4*	0138698	Display assembly
5	730-260	Screw (4)
6	0138663A	Front panel
7	9805353	Screw (4)
8	0138777	90° swivel (6)
9	0138771	Solenoid valve (2)
10	0522524	Relay, 20 A (2)
11	855-914	Lock nut (4)
12	9822631	Flat washer (4)
13	9805274	Screw (4)
14	0138781	Muffler (4)
15*	0138293	Component pump "A", standard LP unit
	0138031	Component pump "A", drum unit
16	9850577	Terminal block
17	0551495	Screw
18	0524353	Nut (3)
19	800-077	Grommit
20	0522532	Contact, 40A (2)
21	9800340	Screw (8)
22	9805475	Nut (4)
23	9822644	Washer (4)
24	0522579	Terminal block plug
25	0522078A	PCB pressure relief
26	0138502	Spacer (4)
27	0138757A	Solenoid mount
28	0138699A	Bracket, left
29	9812335	Nut (3)
30	-----	Nut
31	0522068	Circuit breaker, 2 A (includes item 31)
32	-----	Nut

Pos.	Helix LP	Description
33	0138776	Swivel fitting
34	0138765	Grommet (2)
35	2441603A	Enclosure weldment
36	860-002	Lock washer (8)
37	9805438	Hex screw (8)
38	9800340	Screw (4)
39	0522424	EMI filter (2)
40	9811122	Nut (2)
41	9822640	Washer (2)
42	0290683	Vibration pad (4)
43	0138669	Vibration mount (2)
44	9822640	Washer (2)
45	860-552	Hex screw (2)
46	9821503	Lock washer (4)
47	0295695	Hex screw (2)
48	0138704A	Bracket, right
49*	0138733	Component pump "B", standard LP unit
	0138032	Component pump "B", drum unit
50	9802266	Screw (4)
51	0138938	Motor cover (2)
52	0138285A	Fluid inlet valve assembly
53	0153647	Hanging bracket
54	0138534	Strain relief nut (2)
	0153866	Relay kit (includes items 10-12)
	0153859	Solenoid kit (includes items 8-9 and 13-14)
	0153860	PCB pressure relief kit (includes items 22-23 and 25)

* See separate listing

	<p>When ordering any part number, you will receive a quantity of 1 of that part. If multiples of any part need to be ordered, please specify when ordering.</p>
--	---

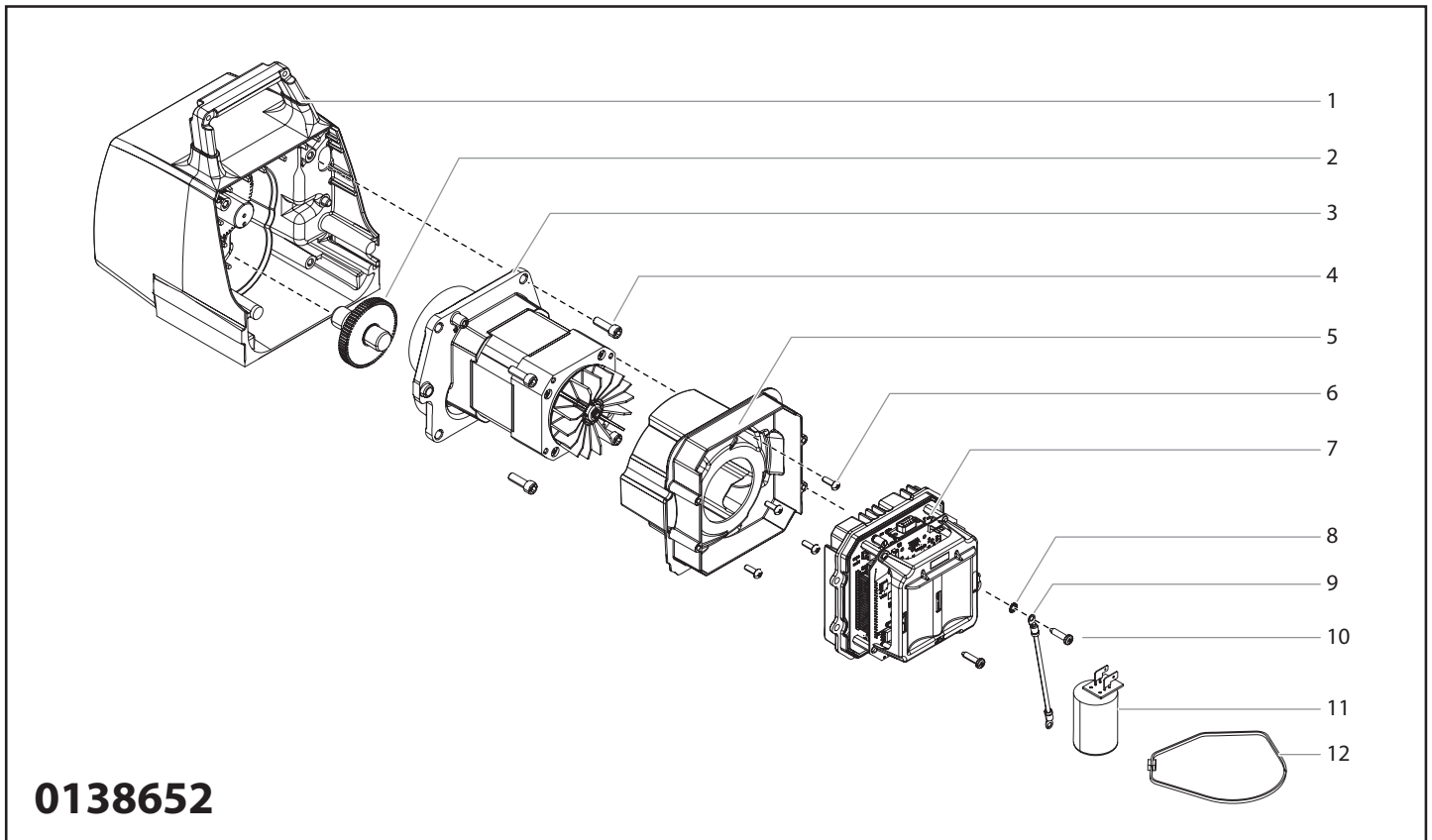
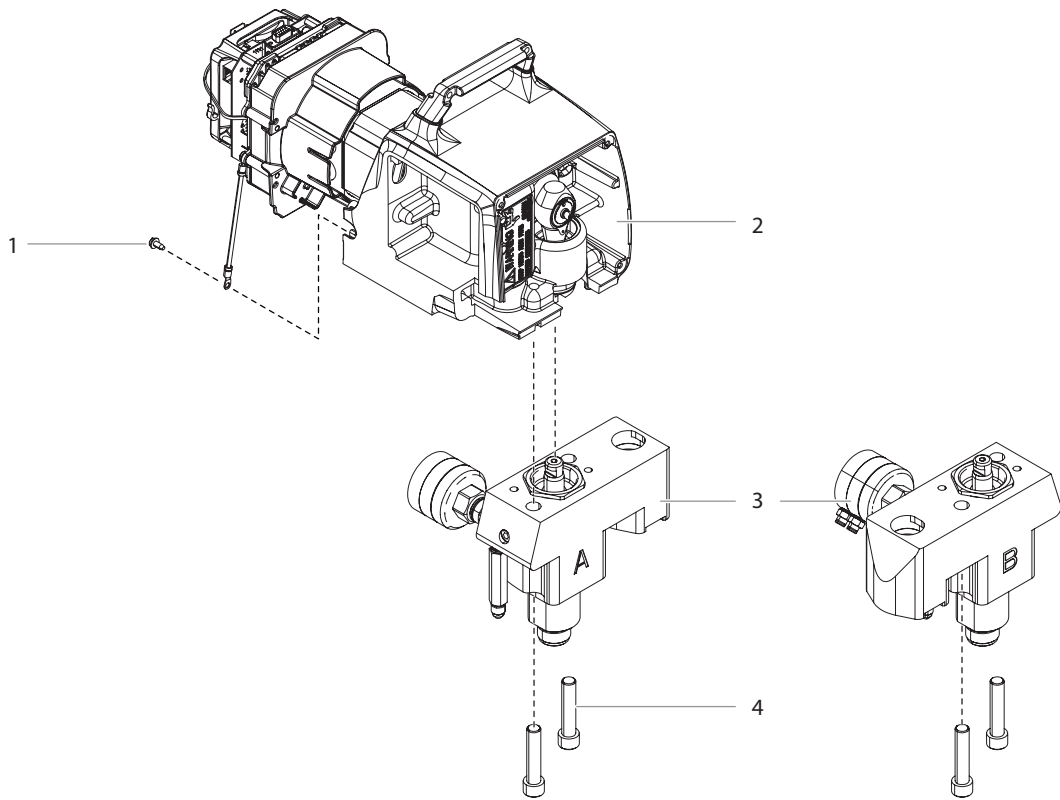
MAIN ASSEMBLY II



Pos.	Helix LP	Description
1	0138508	Receptacle, 20A
2	9805287	Screw (4)
3	-----	Washer
4	0138772	Fitting (includes item 3 and item 30 in Main Assembly I, page 37).
5	0138774	Tee fitting
6	0275696	Air fitting
7	0138775	Coupling
8	9800090A	Tubing, red
9	9800089A	Tubing, clear (2)
10	9800091A	Tubing, blue
11	9800089B	Tubing, clear (2)
12	0524353	Nut (3)
13	0533905	Cap (2)
14*	0521234	Heated hose assembly (200')
	0521236	Heated hose assembly (100')
15	9822559	Retaining ring (2)
16	0138485	Plug

* See separate manual

COMPONENT PUMP ASSEMBLY



0138652

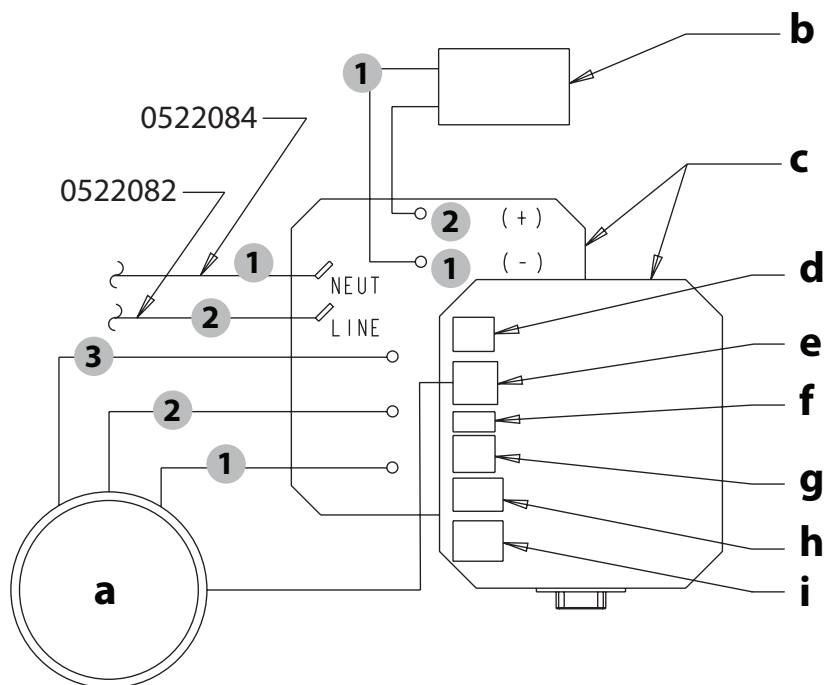
Pos.	Helix LP A	Helix LP B	Description
1	9800340	9800340	Ground screw
2*	0138652	0138652	Drive assembly
3*	0138031A	0138032A	Fluid section assembly
4	704-117	704-117	Screw (2)
0138652 (Drive Assembly)			
1	0138297A	0138297A	Main housing
2	704-176	704-176	2nd stage gear
3	0138738A	0138738A	Motor assembly
4	700-681	700-681	Screw (4)
5	805-474	805-474	Baffle
6	700-139	700-139	Screw (4)
7	0138975	0138978	Motor controller (see below for schematic)
8	9822106	9822106	Lock washer
9	0522040	0522040	Ground wire
10	9802266	9802266	Screw (2)
11	0522036	0522036	Capacitor assembly
12	770-099	770-099	Tie wrap

* See separate listing

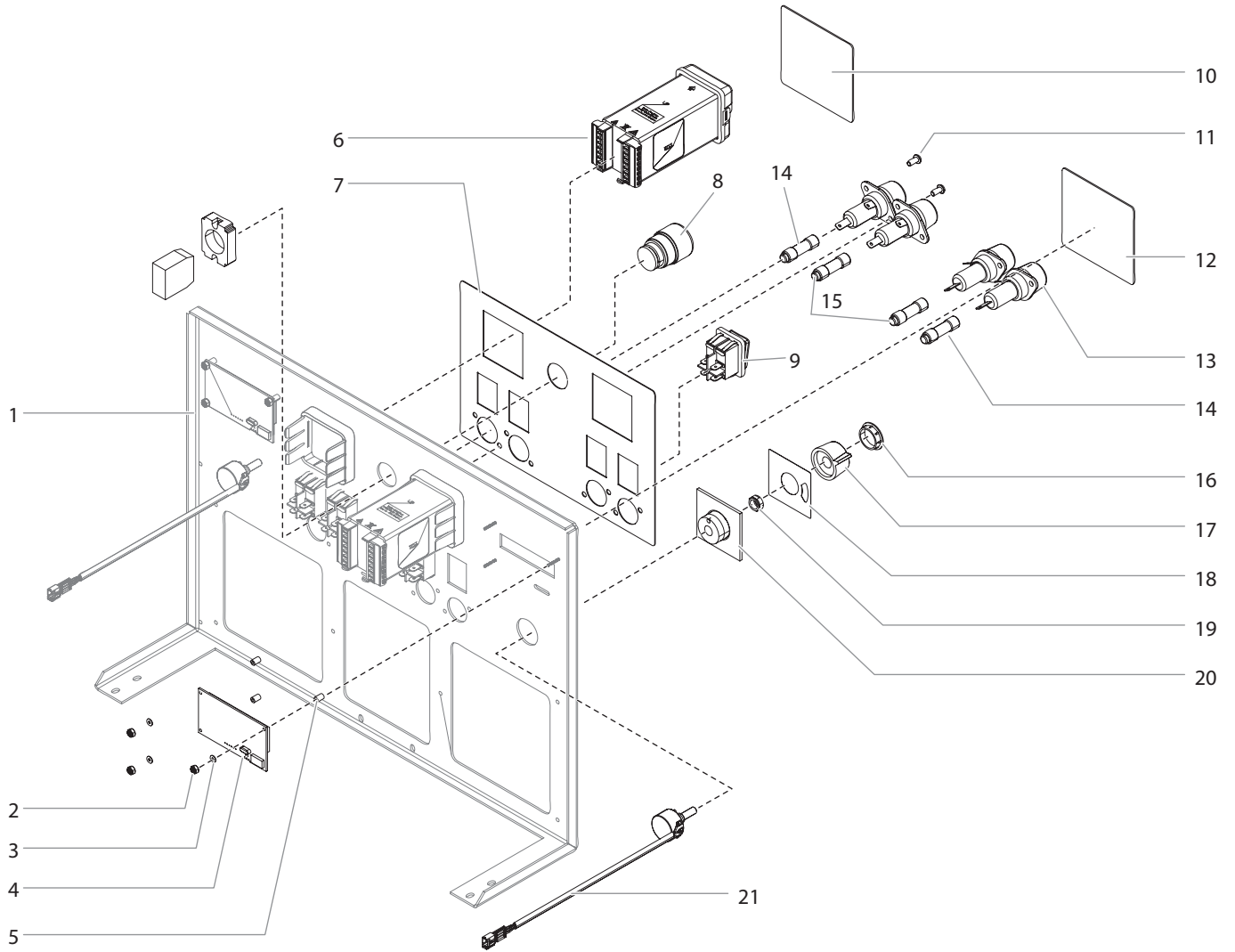
MOTOR CONTROLLER SCHEMATIC

Wiring	
1	Black
2	Red
3	White

Components	
a	Motor (0138738)
b	Capacitor assembly (0522036)
c	Motor controller (0138975 "A", 0138978 "B")
d	Pressure release
e	Hall sensor
f	Potentiometer
g	Display
h	Crank position
i	Pressure sensor

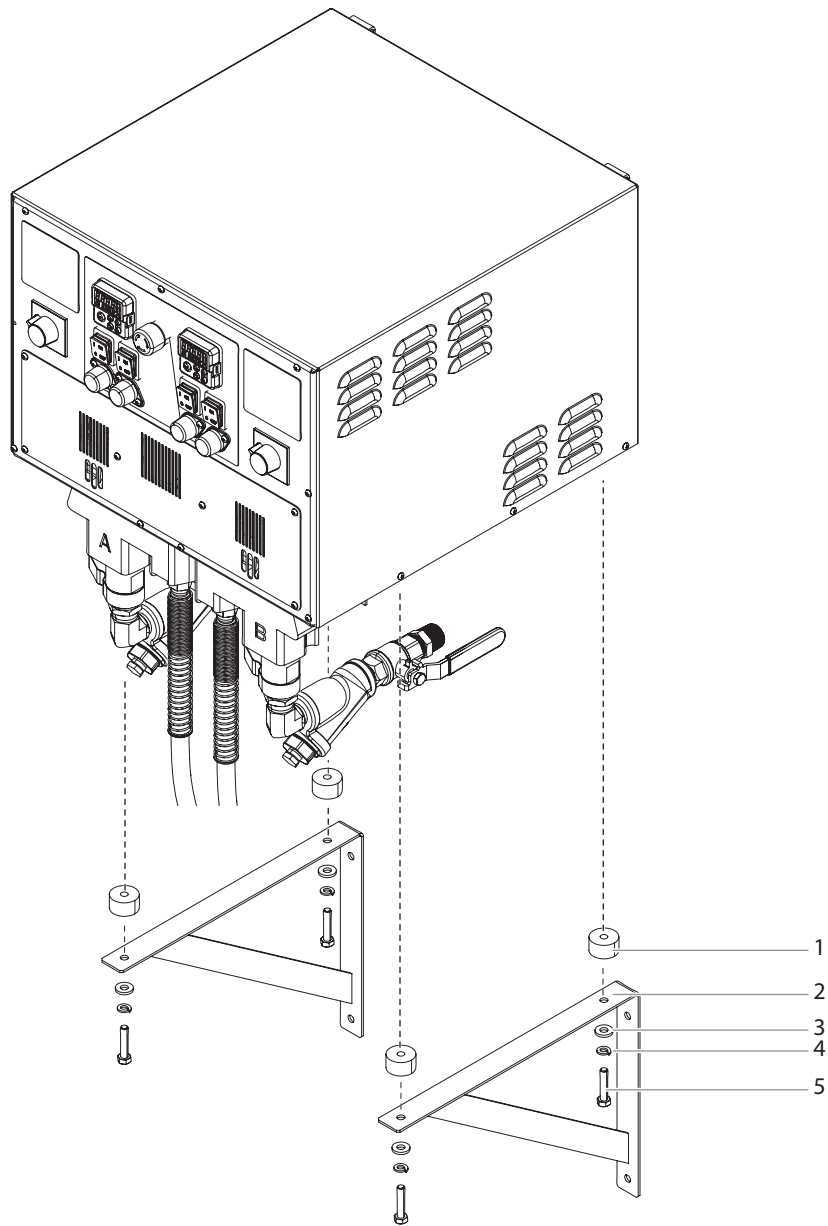


DISPLAY ASSEMBLY



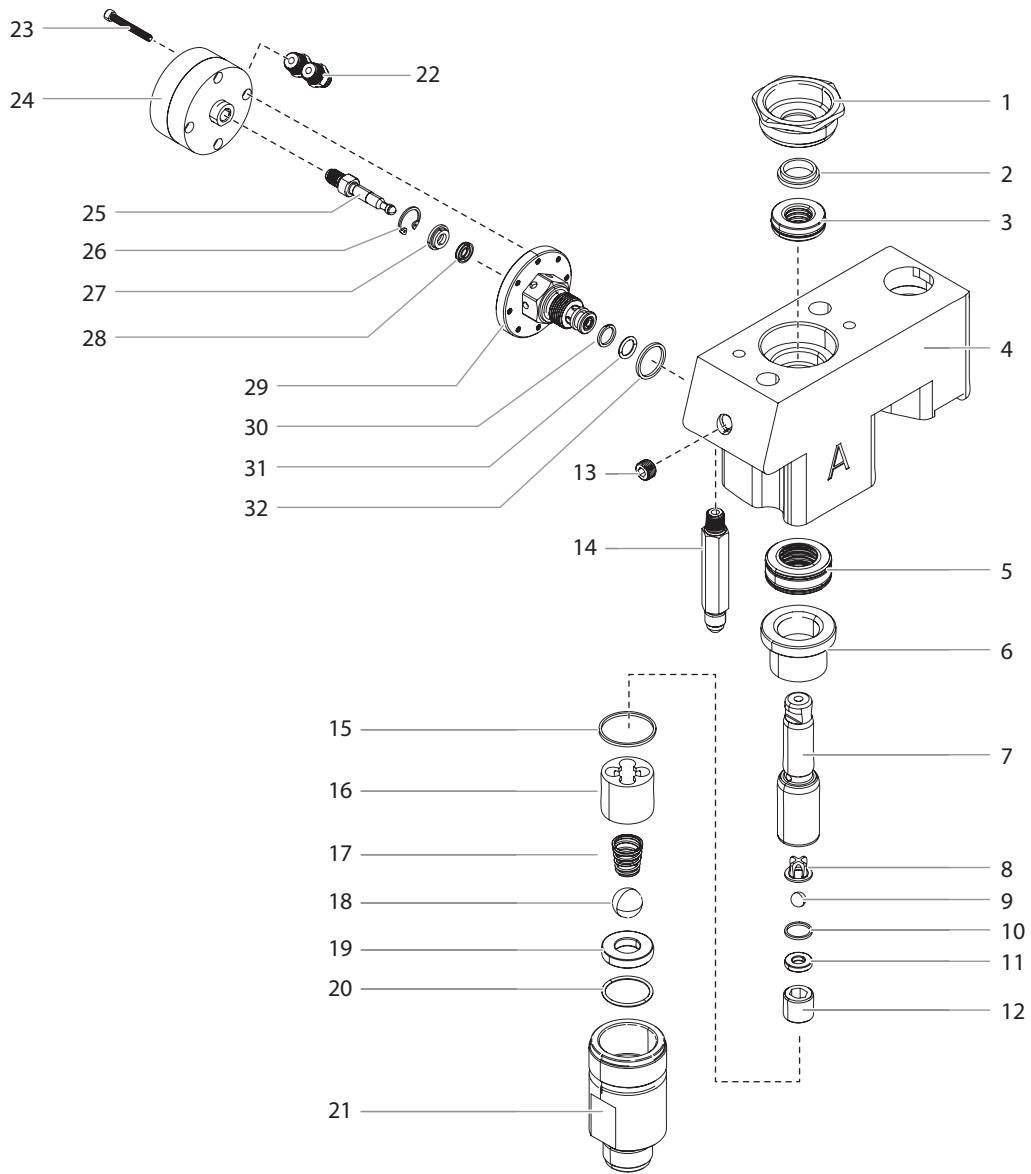
Pos.	Helix LP	Description
1	0138716A	Front panel
2	9812334	Nut (6)
3	9822646	Lock washer (6)
4	805-401	Display (2)
5	0138527	Spacer (6)
6	0138788	Controller (2)
7	0138882A	Display label
8	0522516	Emergency stop button
9	9850936	Switch (4)
10	0138891A	Label, B-side
11	730-260	Screw (8)
12	0138887A	Label, A-side
13	0522571	Fuse holder (4)
14	9851600	Fuse, 8A (2)
15	9851629	Fuse, 12A (2)
16	700-175	Cap (2)
17	700-159	Control knob (2)
18	0138863	Pressure control label (2)
19	700-176	Nut with seal (2)
20	704-293	Mounting plate (2)
21	800-094	Potentiometer assembly (2)
	0153861	Display kit (includes items 2-5)

BRACKET KIT



Pos.	Helix LP	Description
1	0290683	Vibration pad (4)
2	0138992	Mounting bracket (2)
3	9822640	Washer (4)
4	860-002	Lock washer (4)
5	860-552	Hex screw
	0138033	Mounting bracket kit (includes items 1-5)

FLUID SECTION (DRUM LP UNITS)



Pos.	Helix LP A 0138031	Helix LP B 0138032	Description
1	730-508	730-508	Retainer
2	700-587	700-587	Upper guide
3	-----	-----	Upper packing
4	0138646A	0138647A	Pump block
5	-----	-----	Lower packing
6	0509590	0509590	Bushing
7	704-551A	704-551A	Piston rod
8	704-610	704-610	Upper ball guide
9	50164	50164	Outlet valve ball
10	704-612	704-612	Crush washer
11	704-558	704-558	Outlet valve seat
12	13481	13481	Outlet valve retainer
13	9885625	9885625	Plug, pipe
14	0153641	0153641	Hex nipple
15	700-821	700-821	Inlet valve seal
16	0138400	0138400	Lower ball guide
17	0138404	0138404	Spring
18	762-145	762-145	Inlet valve ball
19	762-137	762-137	Inlet valve seat
20	762-058	762-058	O-ring, PTFE
21	0138999A	0138999A	Inlet valve housing

Pos.	Helix LP A 0138031	Helix LP B 0138032	Description
22	9885662	9885662	Tube fitting
23	9805468	9805468	Screw (4)
24	0138767	0138767	Air cylinder
25	2407876	2407876	Stem assembly
26	2407878	2407878	Retaining ring
27	2433633	2433633	Bushing
28	2433632	2433632	Seal
29	2407872A	2407872A	Valve body assembly
30	222-012	222-012	Backup ring
31	221-012	221-012	O-ring
32	700-537	700-537	Bypass valve gasket
	704-552A	704-552A	Piston assembly (includes items 7-12)
	704-586	704-586	Fluid section service kit (includes items 2-3, 5, 8-10, 15, 18, and 20).
	0153864	0153864	Air cylinder kit (includes items 22-25)
	0153865	0153865	Guide/valve assembly kit (includes items 26-32)